



### Technical Data

For detailed data and product description refer to the data sheets at [www.pepperl-fuchs.com](http://www.pepperl-fuchs.com)

#### General Data

Switching element function	NAMUR, NC
Nominal voltage	8.2 V (R <sub>i</sub> approx. 1 kΩ)
Current consumption	
Measuring plate not detected	≥ 3 mA
Measuring plate detected	≤ 1 mA
Ambient temperature	-25 ... 100 °C (-13 ... 212 °F)
Housing material	PBT
Connection type	cable PVC, 2 m



### Properties

- Ø12 mm housing
- 2 mm flush mountable and 4 mm non-flush mountable versions
- DC, NAMUR interface
- Cable version

### Your Benefit

- ATEX approved sensor applicable up to zone 0 and zone 20
- Usable up to SIL2 acc. to IEC 61508

#### Model Number

		NUJ2-12GK-N	NJA4-12GK-N	NCB2-12GK35-N0	NCN4-12GK35-N0
Rated operating distance	2 mm	●		●	
	4 mm		●		●
Installation	flush	●		●	
	non-flush		●		●
Switching frequency	0 ... 1000 Hz		●	●	
	0 ... 1500 Hz				
	0 ... 2000 Hz	●			
	0 ... 800 Hz				●
Suitable for 2:1 technology	✓, Reverse polarity protection diode not required	●		●	
Indication of the switching state	all direction LED, yellow			●	●
Protection degree	IP66 / IP68	●	●		
	IP67			●	●

#### Use in the hazardous area

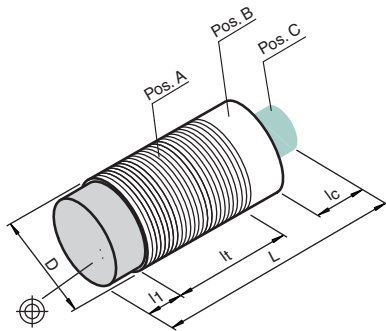
Use in the hazardous area	see instruction manuals	●	●	●	●
Category	2G; 1D	●	●	●	●

#### Approvals and Certificates

Control drawing	116-0165F	●	●	●	●
UL approval	cULus Listed, General Purpose	●	●	●	●
CSA approval	cCSAus Listed, General Purpose	●	●	●	●
CCC approval	Products with a maximum operating voltage of ≤36 V do not bear a CCC marking because they do not require approval.				

#### Dimensions

Length L [mm]		34	35
Diameter D [mm]			12
Thread length l <sub>t</sub> [mm]		30.5	32
Cap length l <sub>1</sub> [mm]			0
Connector area l <sub>c</sub> [mm]			0
LED position		-	Pos. C



### Accessories

This and more accessories can be found in chapter 10

See pages from 972 ... for cordsets

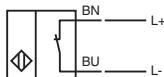
See pages 1068 ... for mounting aids

<b>BF 12</b>	Mounting flange, 12 mm
--------------	------------------------

### Electrical Connection



- NCB2-12GK35-N0
- NUJ2-12GK-N
- NCN4-12GK35-N0
- NJA4-12GK-N



Date of issue 04/08/2015

Refer to "General Notes Relating to Pepperl+Fuchs Product Information".

Pepperl+Fuchs Group  
www.pepperl-fuchs.com

USA: +1 330 486 0001  
fa-info@us.pepperl-fuchs.com

Germany: +49 621 776 4411  
fa-info@de.pepperl-fuchs.com

Singapore: +65 6779 9091  
fa-info@sg.pepperl-fuchs.com

Courtesy of Steven Engineering, Inc - (800) 258-9200 - sales@steveng.com - www.steveng.com